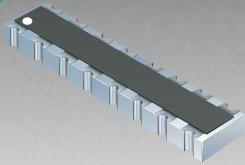


\*RoHS COMPLIANT



**BOURNS®**

## Features

- HIGH PERFORMANCE TERMINATION NETWORK
- Miniaturized circuitry and packaging for space reduction
- Designed for gigabit communication networks
- Controlled impedance
- RoHS compliant\*

## CAT16-PC5F12LF - Concave Chip Array

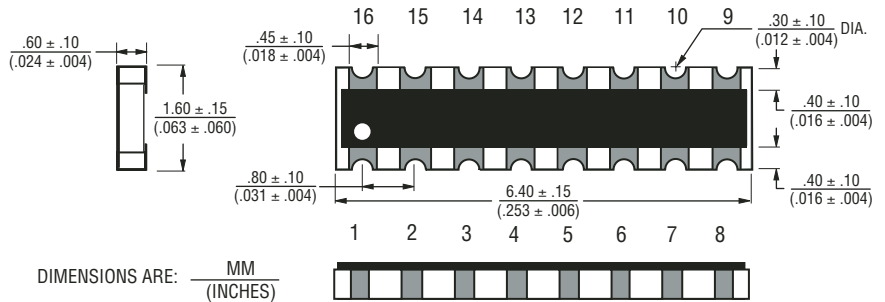
### Electrical Characteristics

#### Resistance

R1 .....	70 ohms
R2 .....	187 ohms
Tolerance .....	±1 %
TCR .....	±200 ppm/°C
Temperature Range .....	-55 °C to +125 °C
Max. Operating Voltage .....	.5 VDC
Max. Power Resistance .....	.0625 W
Solderability .....	>95 % Coverage

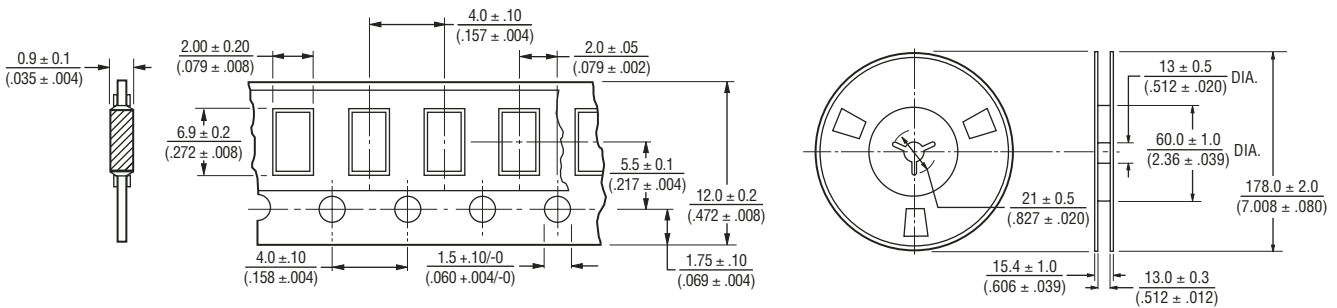
For Standard Values Used in Capacitors, Inductors, and Resistors, [click here](#).

### Product Dimensions

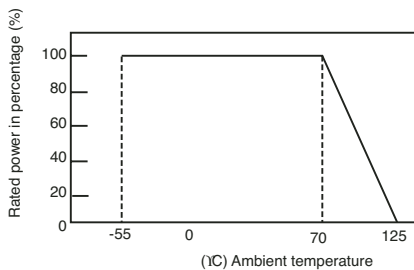


### Packaging Specifications

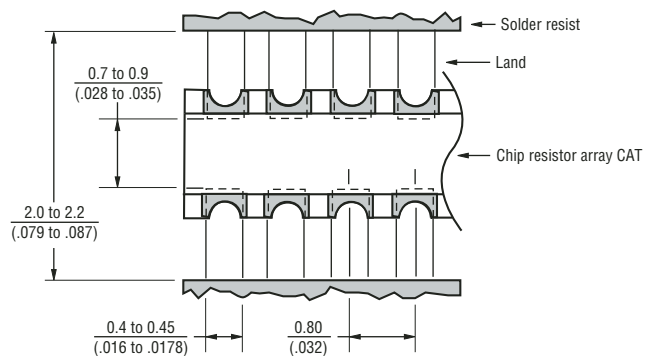
4000 pcs - per 7" reel



### Derating Curve



### Land Pattern



### Schematic

